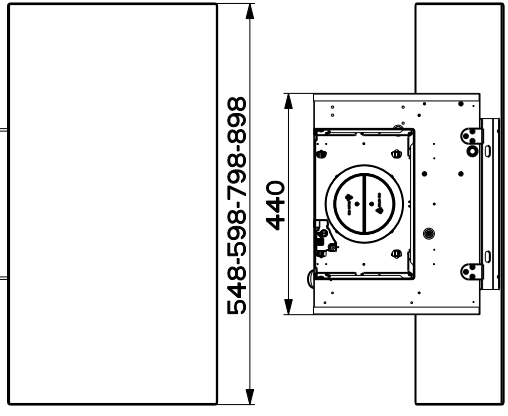
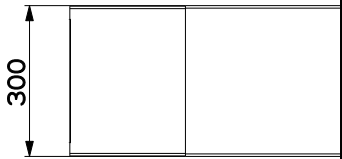
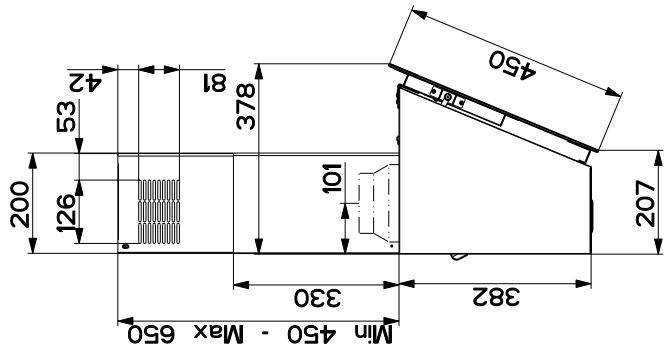


Created by	Solutions
Denomination	DIMENSIONAL DRAWING DAISY
Lang	EN
Sheet	1/2
Modif.by	tcmport
Approved by	Romani, Fabio
Approval date	07-May-2018
Doc. status	Released
Drawing N.	47A_739
Rev	05



Created by	Solutions
Denomination	DIMENSIONAL DRAWING DAISY
Lang	EN
Sheet	2/2
Modif.by	tcmport
Approved by	Romani, Fabio
Approval date	07-May-2018
Doc. status	Released
Drawing N.	47A.739
Rev	05